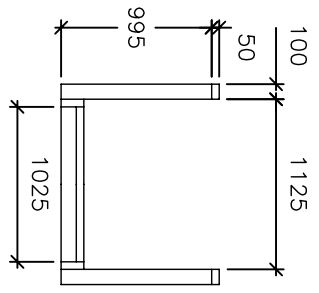
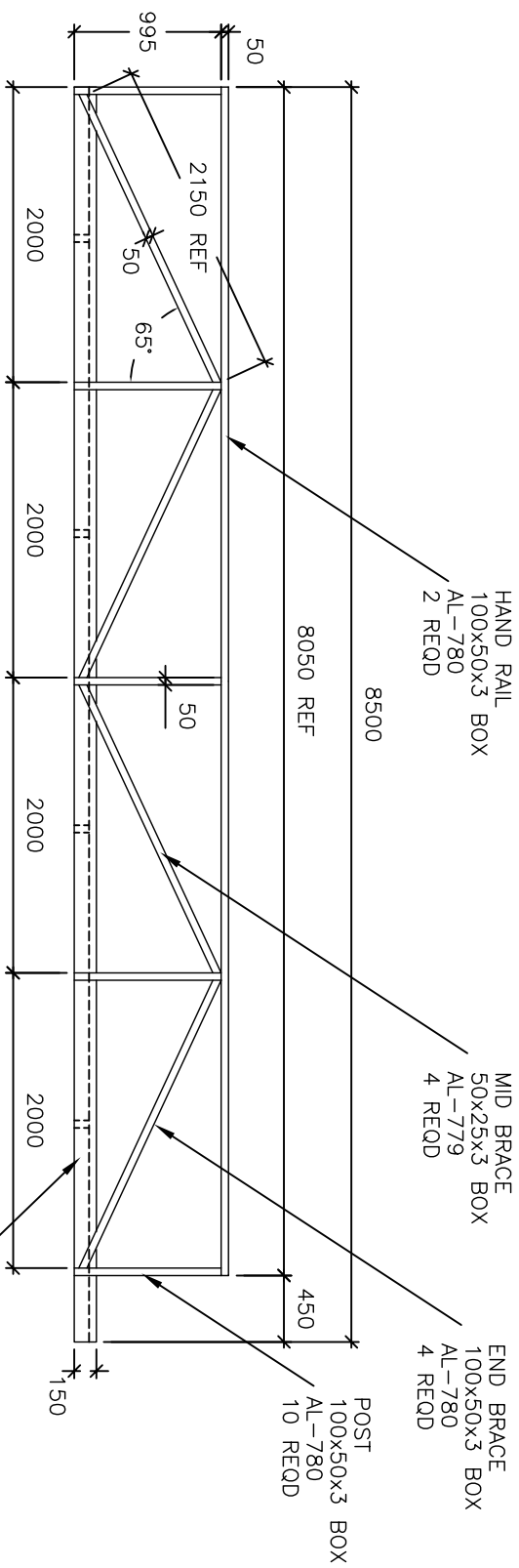


NOTE-ALL STRUCTURE IS TO BE FULLY WELDED, WITH A NOMINAL FILLET OF 5mm. -ALL EXTRUSIONS ARE OF GRADE 6063-T5 OR EQUIVALENT. -FILLER ALLOY IS TO BE OF 5356 OR EQUIVALENT.



MARINE DOCK SYSTEMS
PTY LTD

ALUMINIUM RAMP
8.5m x 1.125m

RAMP-1316



SCALE	N.T.S.	DRAWING No.	
DRAWN	BJM	A4-1316	
DATE		REV	A