

COPYRIGHT ALL RIGHTS RESERVED

DO NOT SCALE

160x12 FLAT

M12 x75
COACH SCREWS
TYPICAL SS

80x80x10 ANGLE
ALUMINIUM

100x50x3 RHS
ALUMINIUM POST
BRACKET

M10 OR
3/8"UNC SS
FASTENERS WITH
NYLOCK NUTS

100x75x25
HIGH DENSITY
POLYETHYLENE
WEAR BLOCK

- NOTE:
- ALL FASTENERS ARE 304 OR 316 STAINLESS STEEL.
 - ALL THROUGH BOLTS ARE FITTED WITH NYLOC NUTS.
 - USE ANTI-SIEZE COMPOUND ON BOLT THREADS PRIOR TO FASTENING.
 - ALL ALUMINIUM EXTRUSIONS ARE 6063-T5.
 - ALL WELDS ARE 5mm FILLETS.
 - FILLER ALLOY IS GRADE 5356
 - STAINLESS STEEL FASTENERS IN CONTACT WITH ALUMINIUM ARE TO BE ISOLATED WITH A NYLON WASHER.

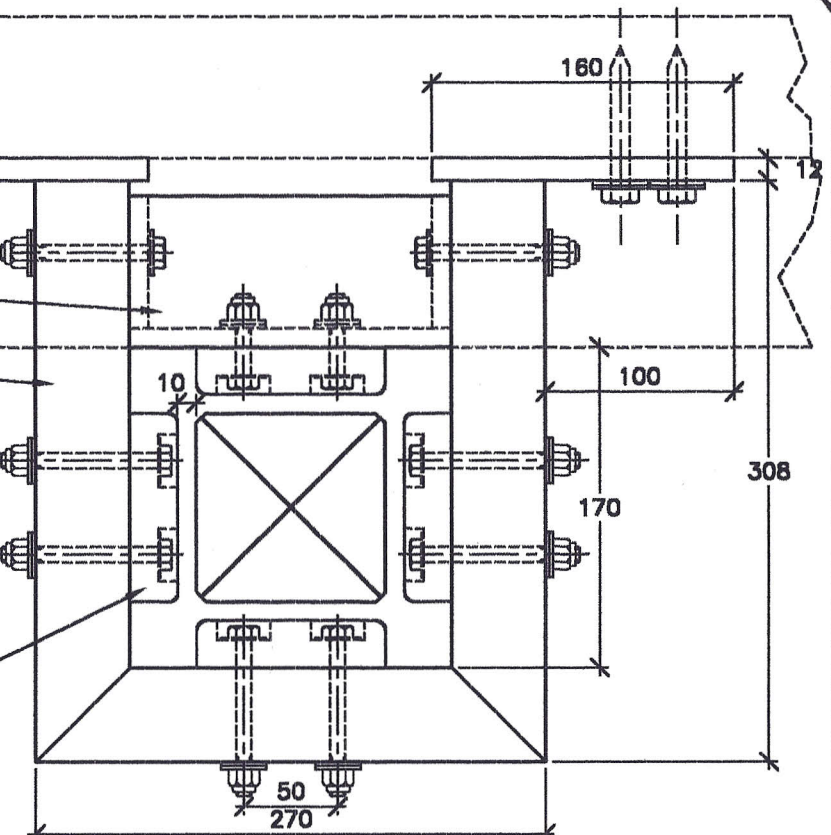
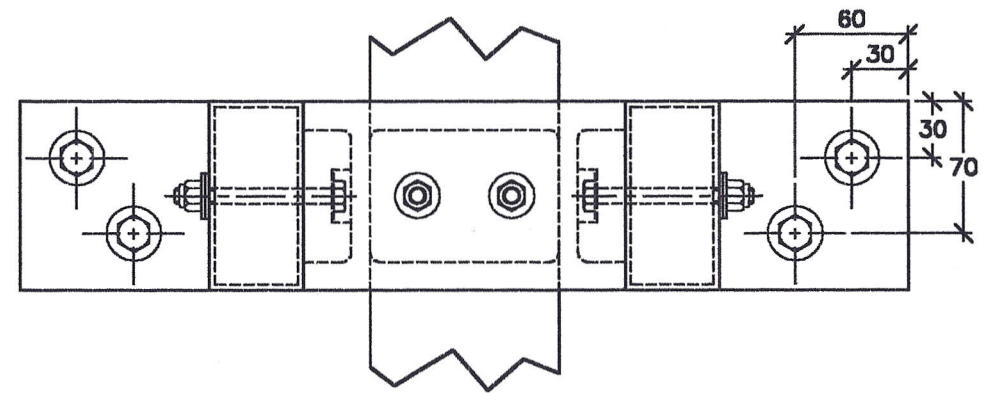
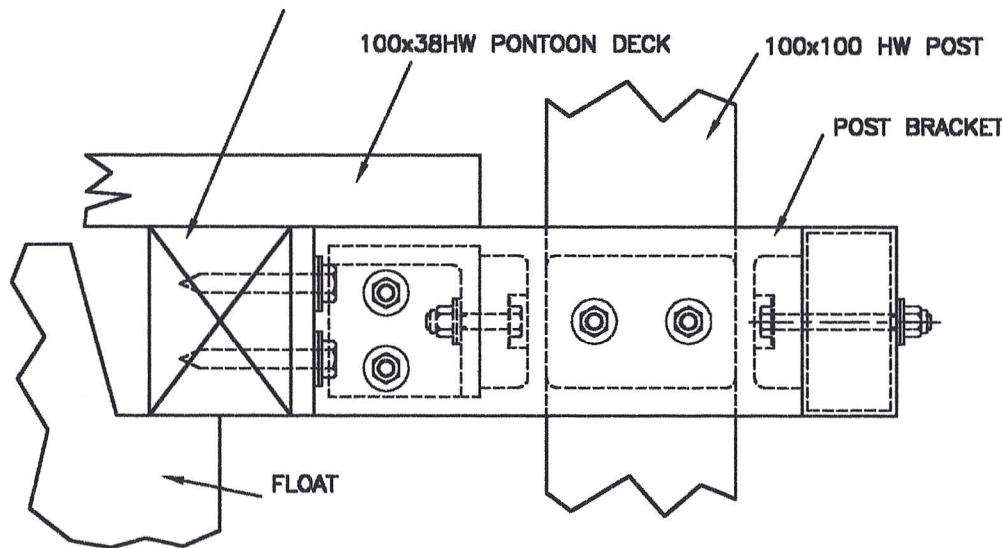
100x75HW PONTOON FRAME

100x38HW PONTOON DECK

100x100 HW POST

POST BRACKET

FLOAT



MARINE DOCK SYSTEMS
PTY LTD

PONTOON FRAME
CONSTRUCTION DETAIL

POST BRACKET



SCALE	N.T.S.	DWG	A4-2916	
DRAWN	JPM	REV	A	25,6,03
DATE	25,6,03	CHK		APP'D