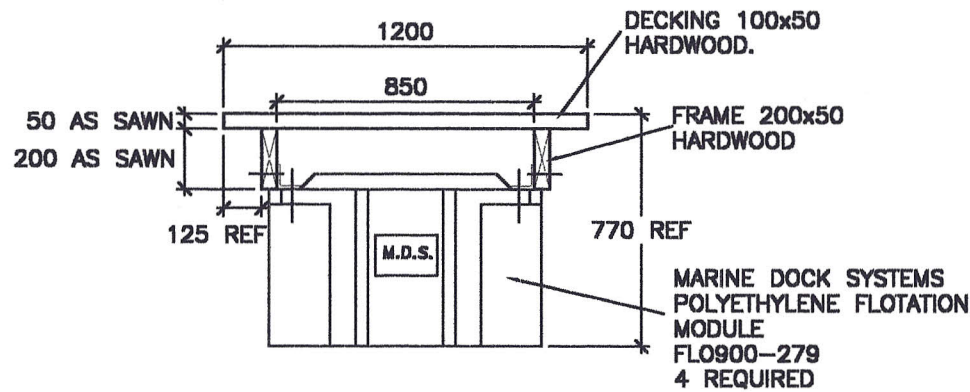
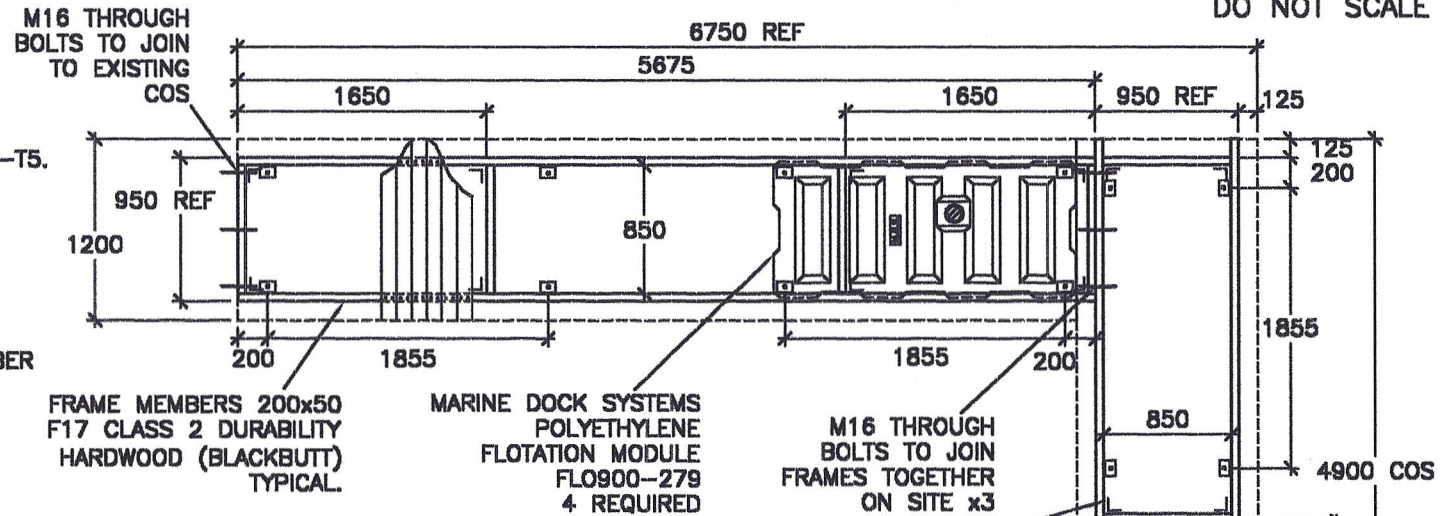


COPYRIGHT ALL RIGHTS RESERVED

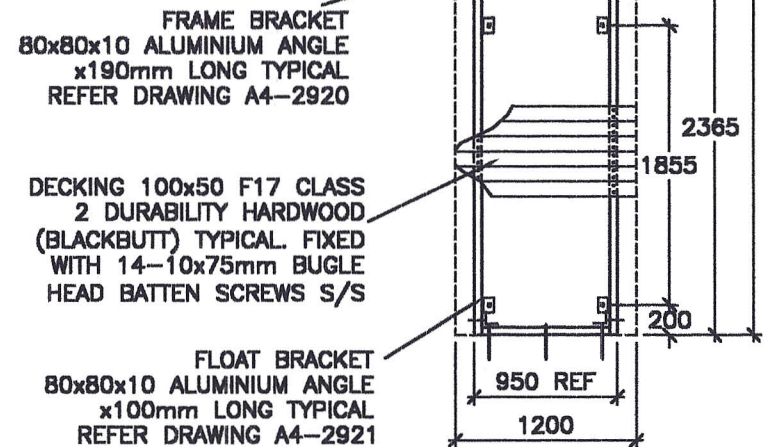
DO NOT SCALE

NOTE:

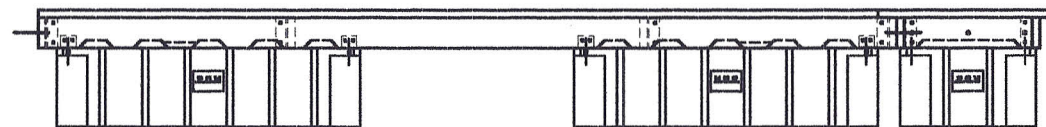
- ALL TIMBER IS HARDWOOD F17 CLASS 2 DURABILITY OF BETTER. BLACKBUTT
- ALL FASTENERS ARE 304 STAINLESS STEEL.
- ALL FRAME BRACKETS ARE ALUMINIUM GRADE 6063-T5.
- STAINLESS STEEL FASTENERS IN CONTACT WITH THE ALUMINIUM BRACKETS ARE TO BE ISOLATED WITH A NYLON WASHER.
- ALL THROUGH BOLTS ARE TO BE FITTED WITH NYLOC NUTS.
- USE ANTI-SIEZE ON ALL BOLT THREADS PRIOR TO FASTENING.
- ALL EXPOSED BOLTS ARE RECESSED INTO THE TIMBER BY COUNTERBORING
- FLOTATION MODULES ARE MARINE DOCK SYSTEMS, POLYETHYLENE MODULE FLO900-279



PONTON SECTION DETAIL



PONTON PLAN



PONTON PROFILE

REFER TO DRAWING A4-2920 FOR FRAME BRACKET DETAIL AND DRAWING A4-2921 FOR FLOAT BRACKET DETAIL

**MARINE DOCK SYSTEMS
PTY LTD**

**BICENTENNIAL PARK
TEACHING SQUARE
WEST (NEW)**

**HIGH FREEBOARD
PONTON DETAIL**



SCALE	N.T.S.	DWG	A4-2919	
DRAWN	JPM	REV	A	27,6,03
DATE	27,6,03	CHK		APP'D