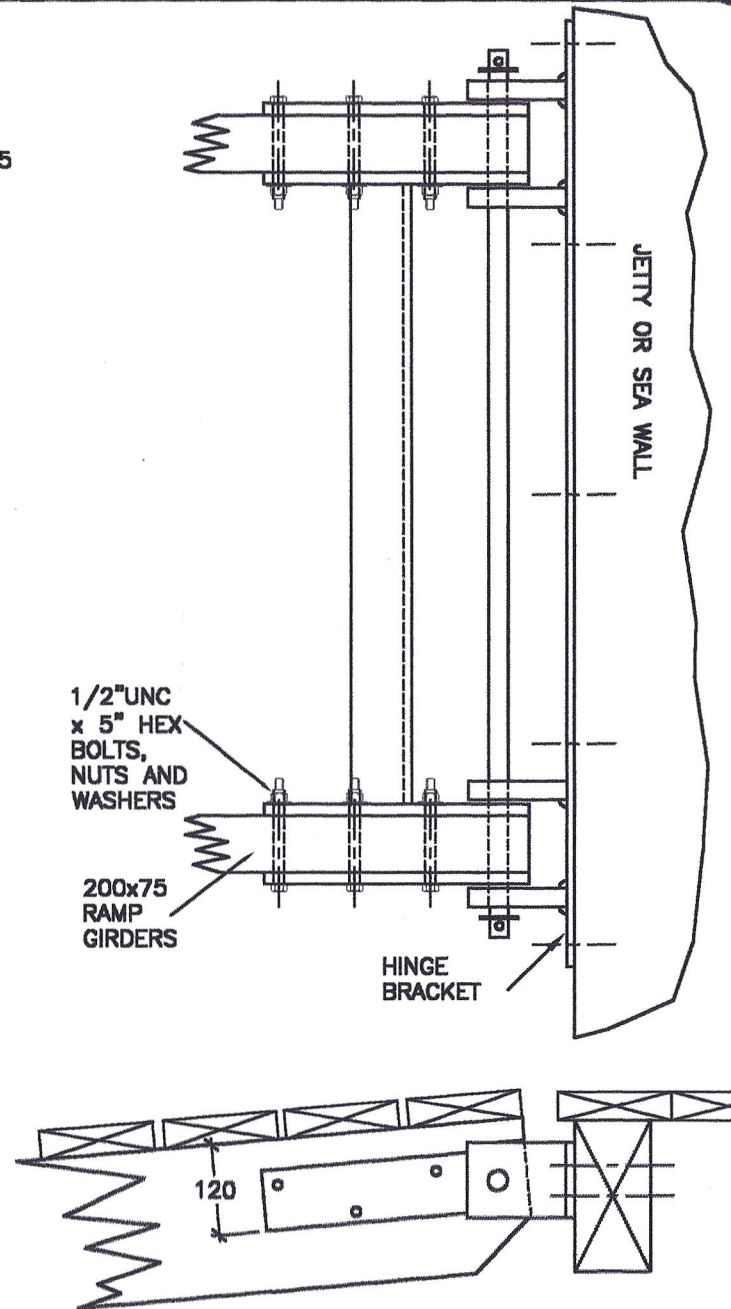
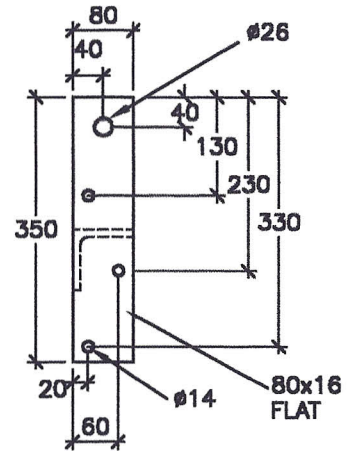
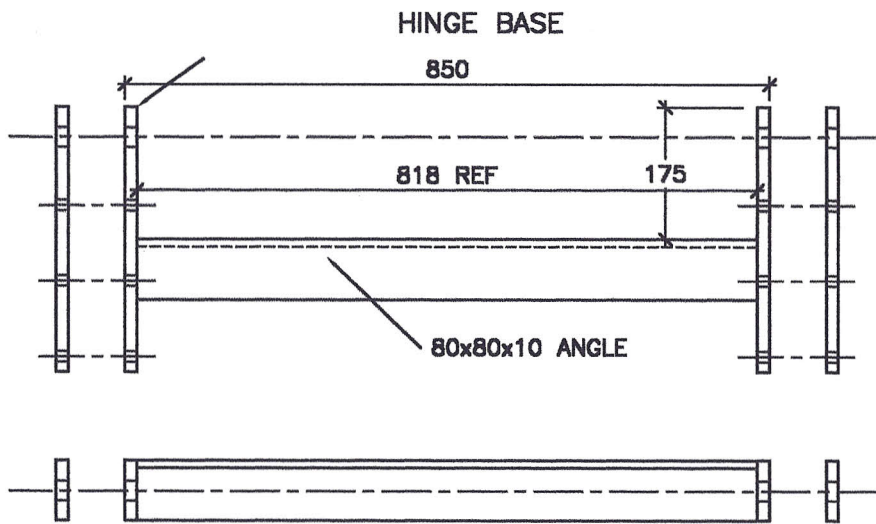
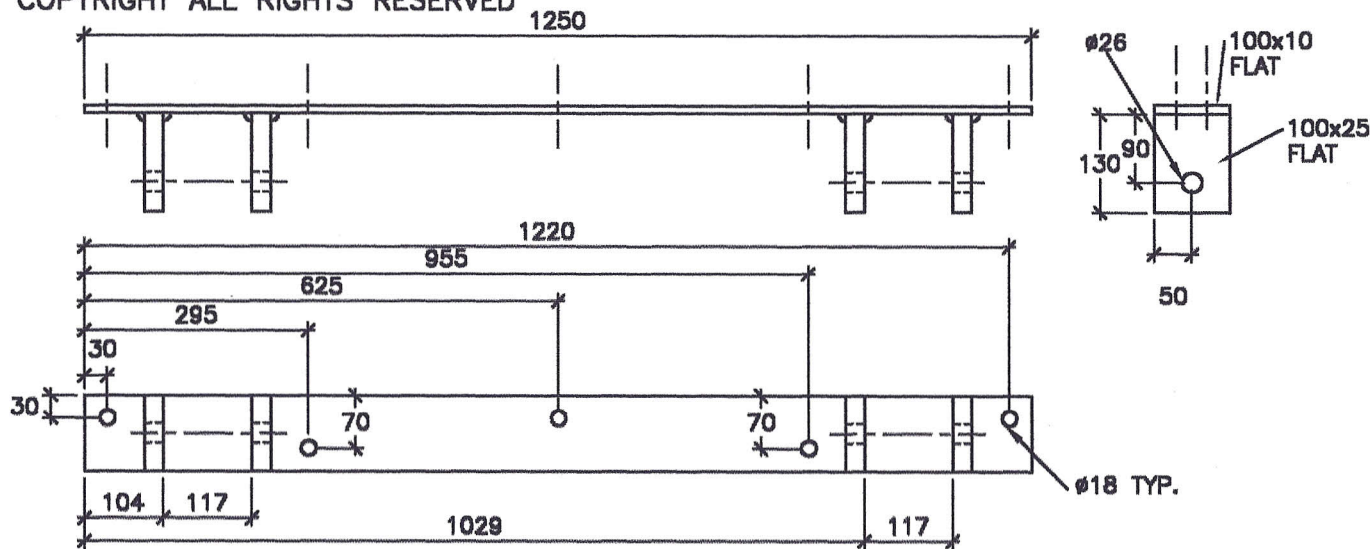


COPYRIGHT ALL RIGHTS RESERVED



NOTE:
 -HINGE BRACKET IS FULLY WELDED WITH A NOMINAL FILLET OF 6mm
 -ALL MATERIAL IS 6063-T5 ALUMINIUM
 -FILLER ALLOY IS 5356

**MARINE DOCK SYSTEMS
 PTY LTD**

**DOMESTIC PONTOON
 RAMP**

**RAMP HINGE BKT
 ASSEMBLY**



SCALE	N.T.S.	DWG	A4-2949
DRAWN	JPM	REV	A 6,3,01
DATE	6,3,01	CHK	APP'D