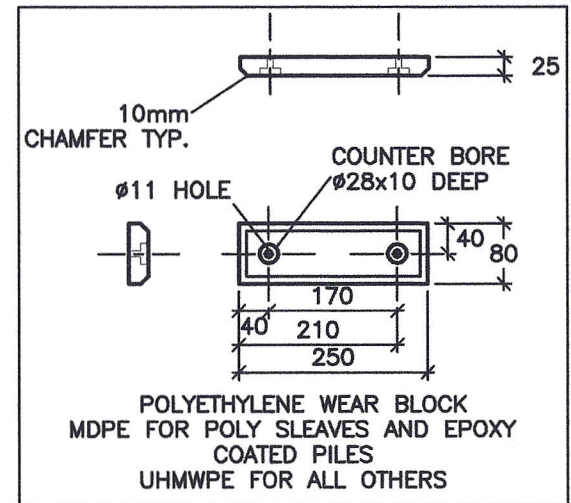
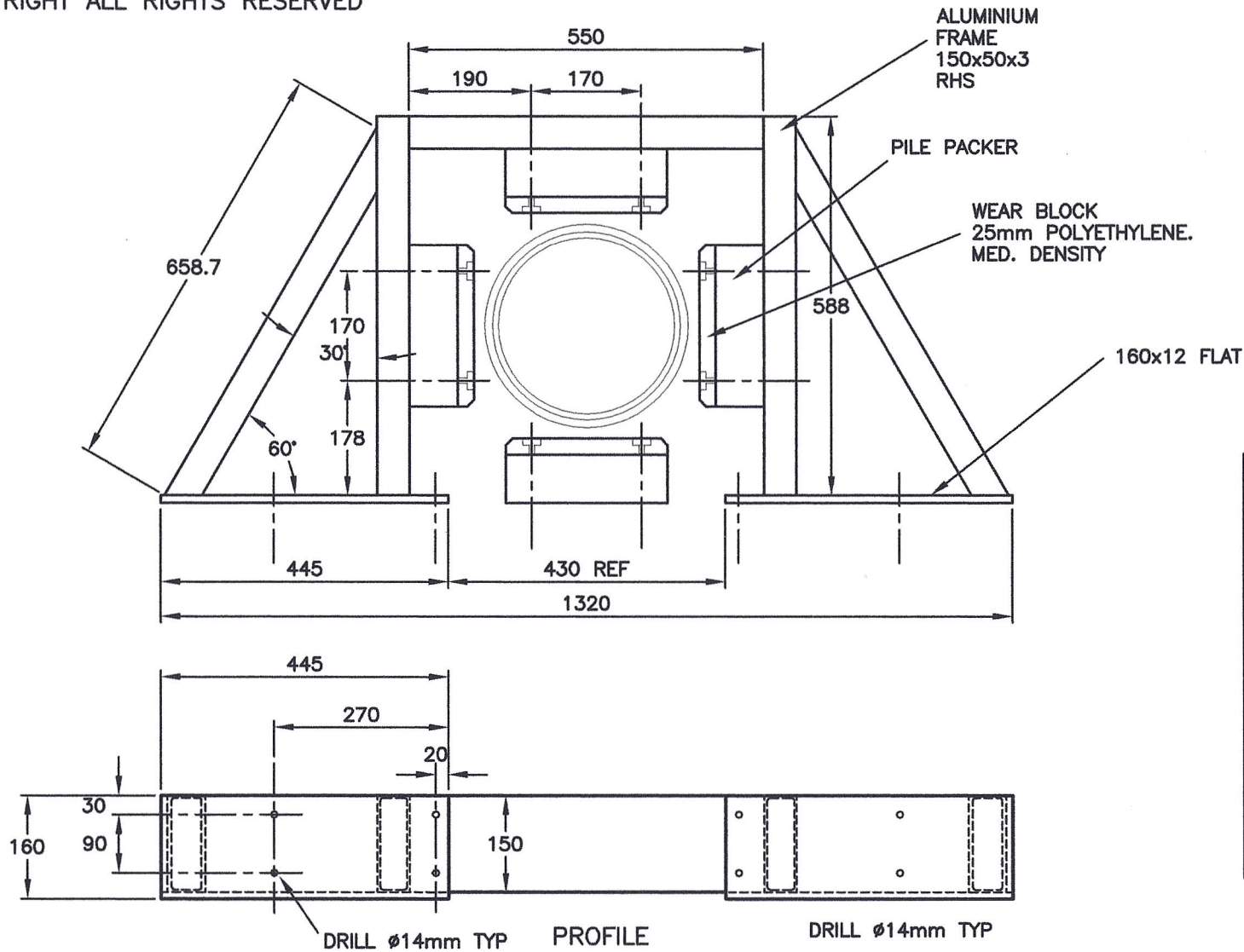


COPYRIGHT ALL RIGHTS RESERVED

DO NOT SCALE

NOTE—ALL STRUCTURE IS FULLY WELDED
 WITH A FILLET OF 5mm
 —FILLER ALLOY IS GRADE 5356.
 —ALL ESTRUSIONS ARE GRADE
 6063-T5 OR EQUIVALENT.



SUIT CONCRETE, STEEL, PLASTIC SLEAVED AND TIMBER PILES

**MARINE DOCK SYSTEMS
 PTY LTD**

**OUTSIDE PILE
 GUIDE-1350 FINGER**

**FABRICATION
 DETAIL**



| | | | | |
|-------|---------|-----|------------------|---------|
| SCALE | N.T.S. | DWG | A4-2968-3 | |
| DRAWN | J.P.M | REV | B | 14,4,03 |
| DATE | 14,4,03 | CHK | APP'D | |