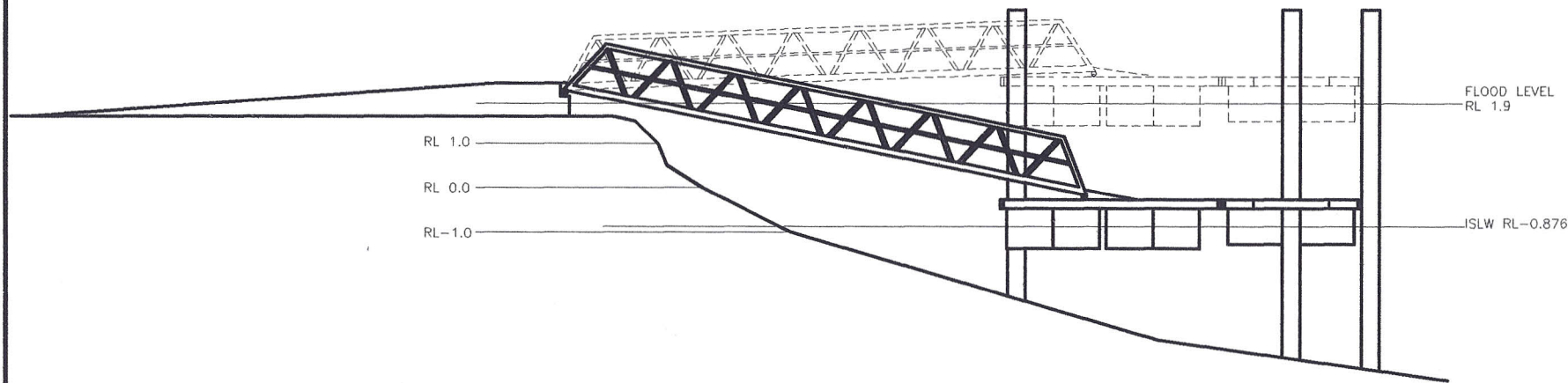
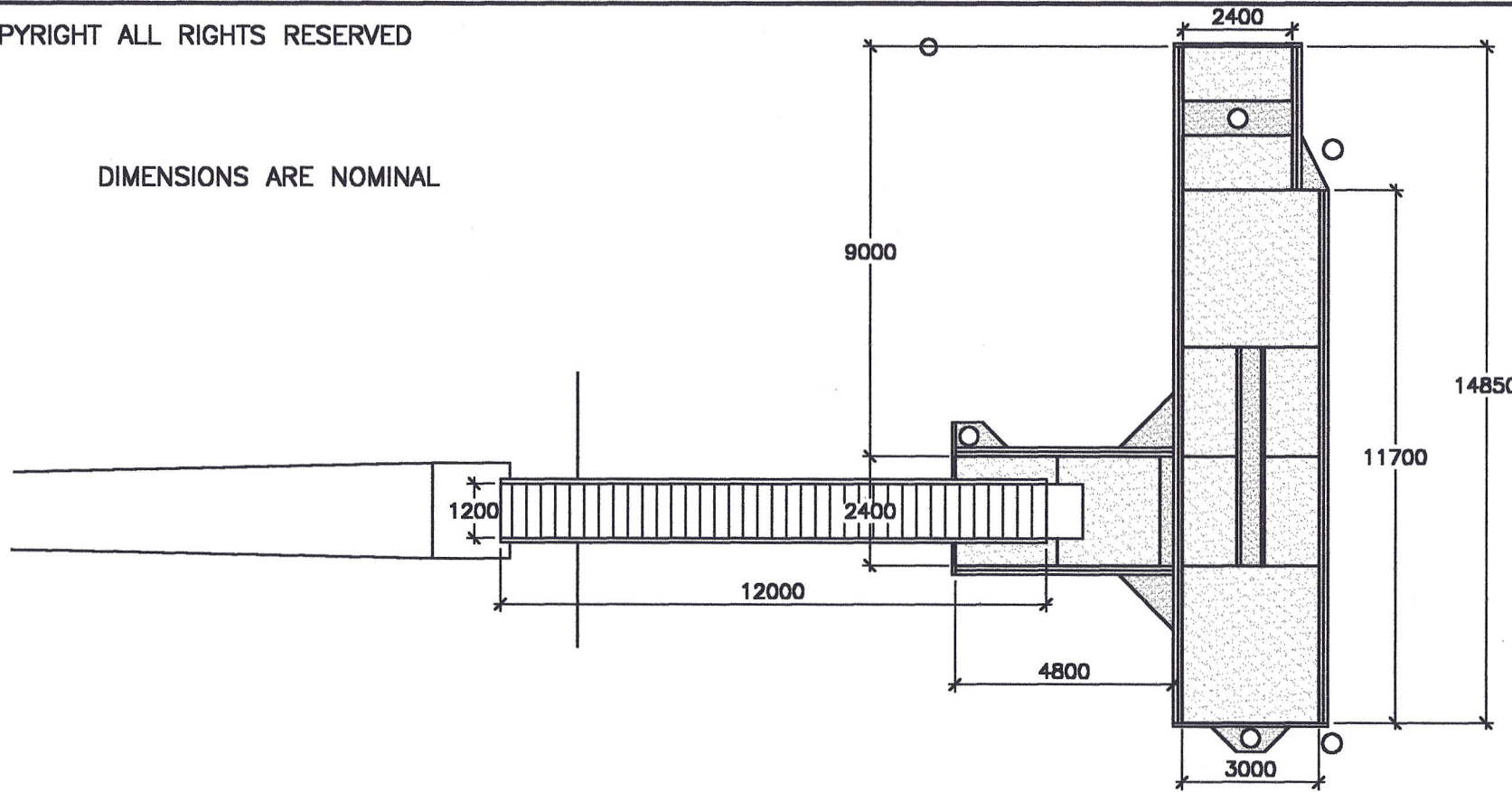


COPYRIGHT ALL RIGHTS RESERVED

DO NOT SCALE

DIMENSIONS ARE NOMINAL



**MARINE DOCK SYSTEMS  
PTY LTD**

**BOAT SEWAGE PUMPOUT  
FACILITY  
KANGAROO POINT**

**PROPOSED  
PONTOON AND RAMP  
ARRANGEMENT**



SCALE	N.T.S.	DWG	<b>A4-2712</b>	
DRAWN	JPM	REV	A	30,1,02
DATE	30,1,02	CHK		APP'D