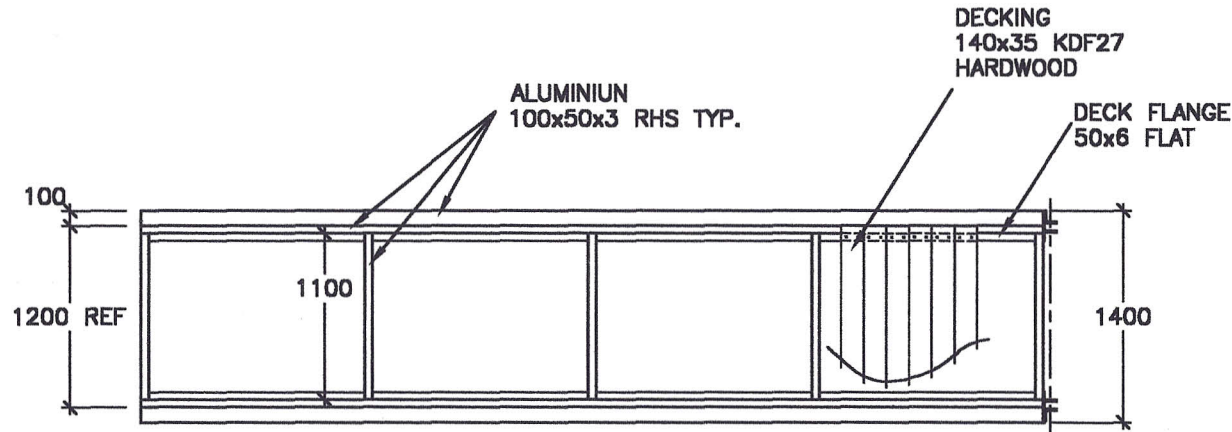
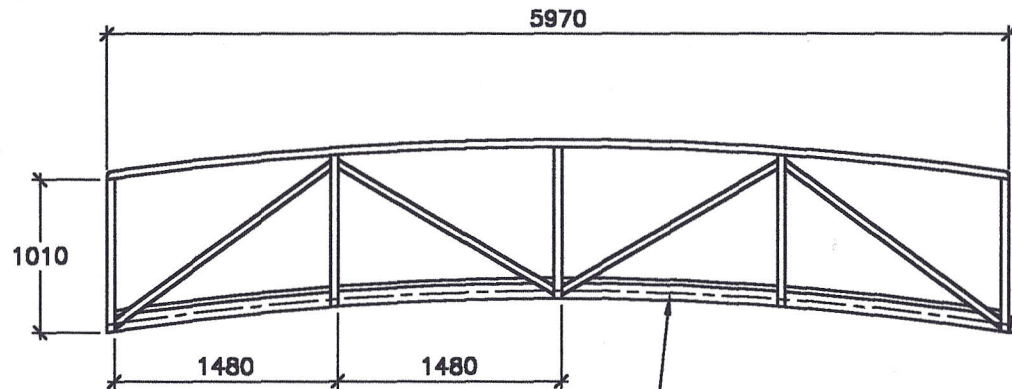


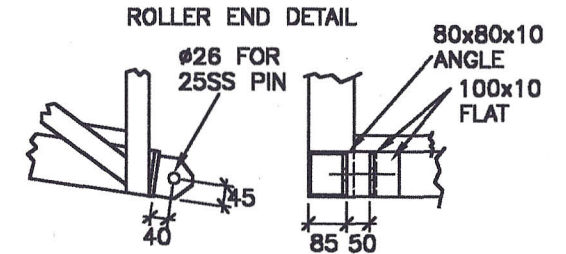
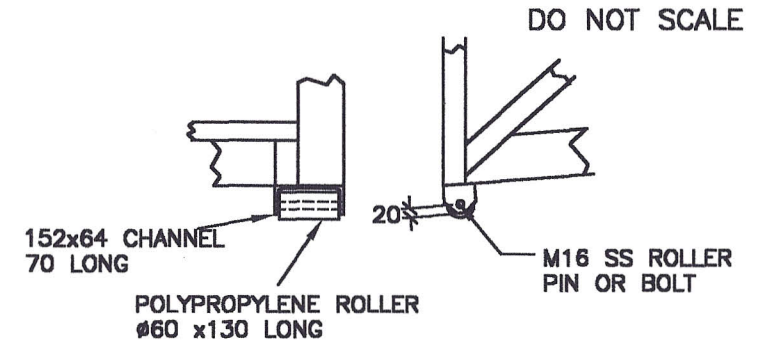
COPYRIGHT ALL RIGHTS RESERVED



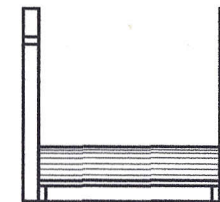
PLAN



PROFILE



HINGE END DETAIL



END VIEW

NOTE--ALL STRUCTURE IS FULLY WELDED WITH A NOMINAL FILLET RADIUS OF 5mm.
 --ALL EXTRUSIONS ARE OF GRADE 6063-T5 OR EQUIVALENT.
 --FILLER ALLOY IS OF GRADE 5356
 --ALL 100x50x3 RHS ARE TO HAVE 6mm RADIUS EDGE.
 --ALL OTHER RHS TO HAVE 3mm RADIUS EDGE

MARINE DOCK SYSTEMS
PTY LTD

6.0m x 1.2m
CAMBERED
ALUMINIUM RAMP

RAMP-2821



SCALE	N.T.S.	DWG	A4-2821	
DRAWN	J.P.M	REV	A	2,9,02
DATE	2,9,02	CHK	APP'D	