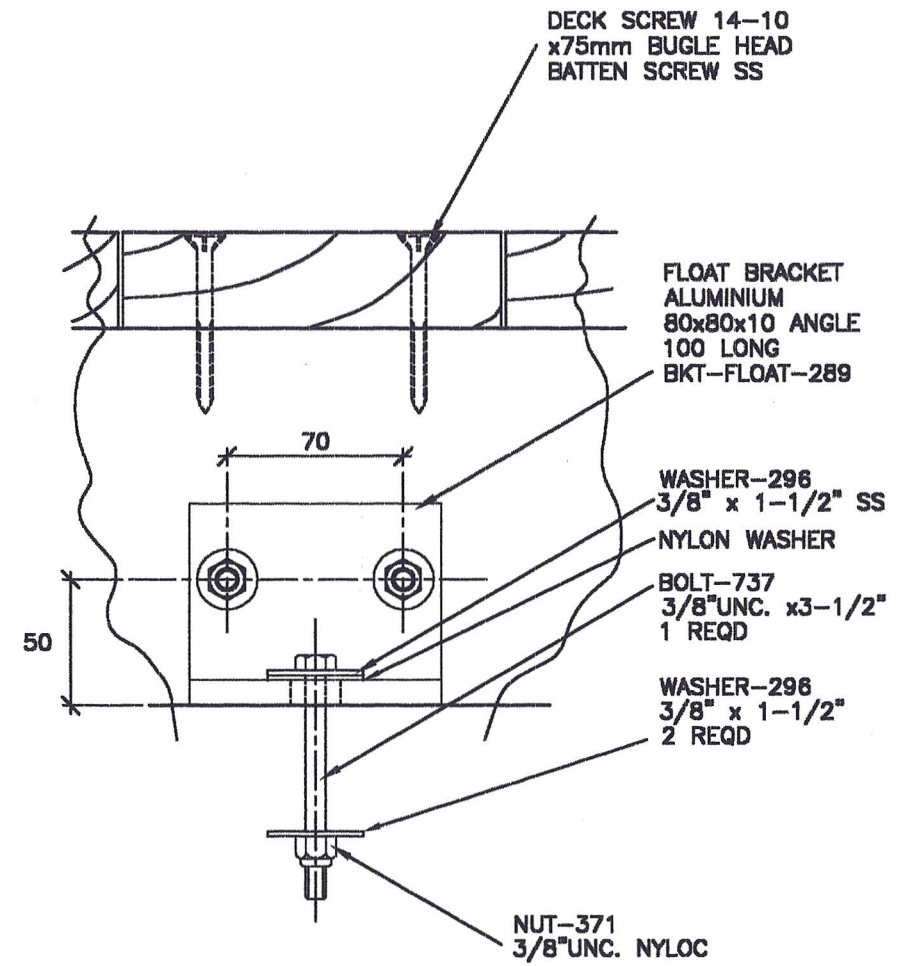
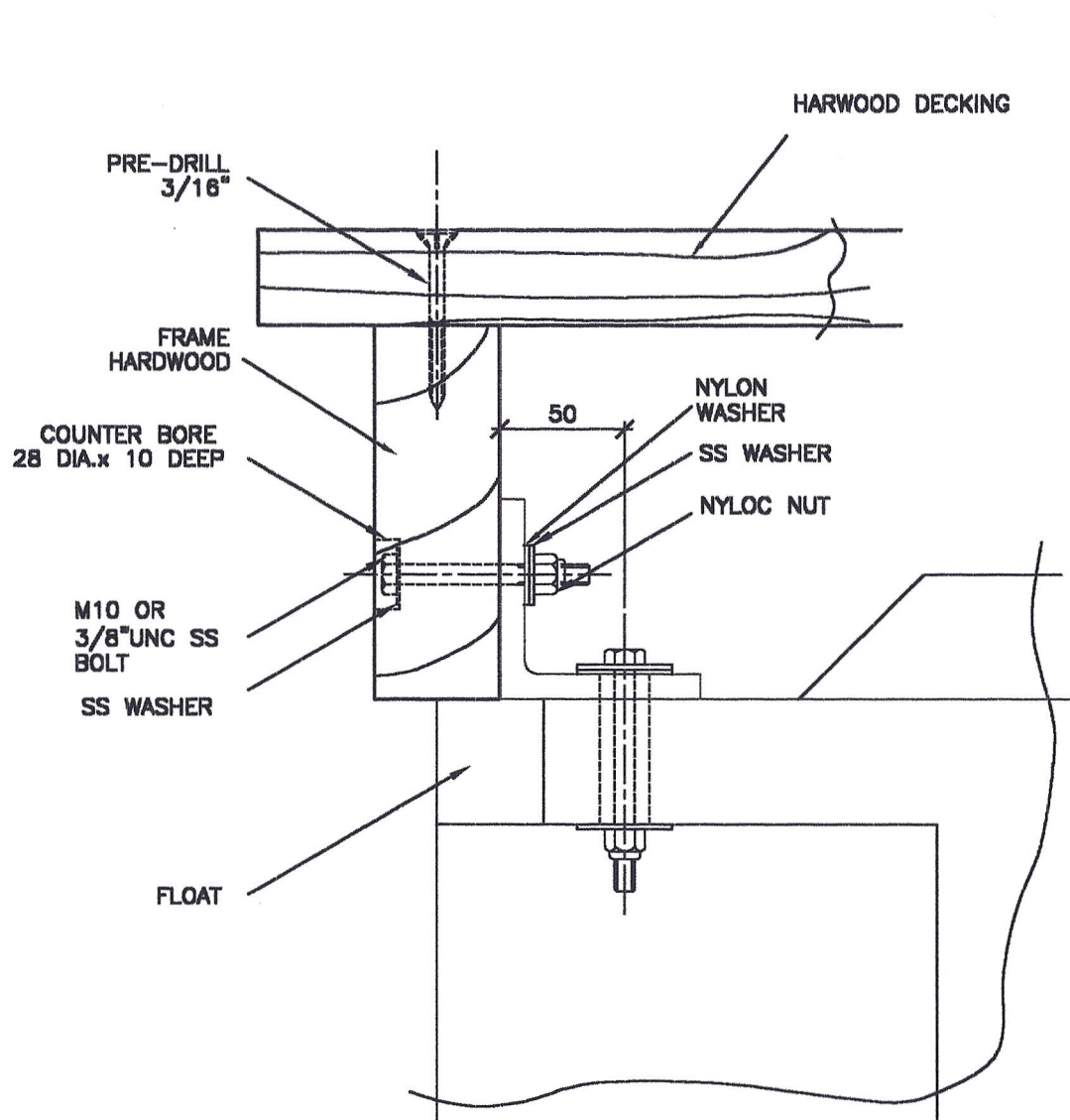


COPYRIGHT ALL RIGHTS RESERVED

DO NOT SCALE.



FLOAT NOT SHOWN IN THIS VIEW.

NOTE -ALL FASTENERS ARE CORROSION RESISTANT STAINLESS STEEL.  
 -THE DECKING AND THE FRAME ARE TO BE PRE-DRILLED WITH A 3/16" DRILL BIT, PRIOR TO DECK FIXING.

MARINE DOCK SYSTEMS PTY LTD

PONTOON FRAME CONSTRUCTION DETAIL

BKT-FLOAT-289 FLOAT BRACKET



SCALE	N.T.S.	DRAWING No.	
DRAWN	J.P.M	<b>A4-2921</b>	
DATE	08,07,97	REV	B