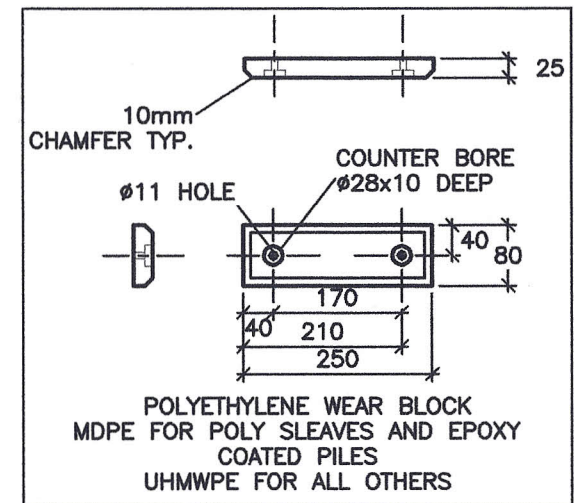


NOTE—ALL STRUCTURE IS FULLY WELDED WITH A FILLET OF 5mm
 —FILLER ALLOY IS GRADE 5356.
 —ALL ESTRUSIONS ARE GRADE 6063-T5 OR EQUIVALENT.



SUIT CONCRETE, STEEL, PLASTIC SLEAVED AND TIMBER PILES

**MARINE DOCK SYSTEMS
 PTY LTD**

**OUTSIDE PILE
 GUIDE—CORNER**

**FABRICATION
 DETAIL**



SCALE	N.T.S.	DWG	A4-2968-4	
DRAWN	J.P.M	REV	B	14,4,03
DATE	14,4,03	CHK		APP'D