

COPYRIGHT ALL RIGHTS RESERVED

DO NOT SCALE

- NOTE—ALL ALUMINIUM EXTRUSIONS ARE OF GRADE 6063-T5 OR EQUIVALENT.
 —ALL STRUCTURE IS FULLY WELDED WITH A NOMINAL FILLET OF 5mm.
 —FILLER ALLOY IS GRADE 5356.
 —EQUIPMENT HOIST AND MIXER MAST IS HOT DIP GALVANIZED.
 —ALL FASTENERS ARE 304SS
 —DECKING IS AMPLIGRIP 201 SERIES.
 —PONTOON FRAME AND EQUIPMENT HOIST IS INSULATED WITH 3mm INSERTION RUBBER.
 —FLOTATION MODULES ARE MARINE DOCK SYSTEMS 550L POLYETHYLENE MODULE WITH POLYURETHANE FOAM FILLING.

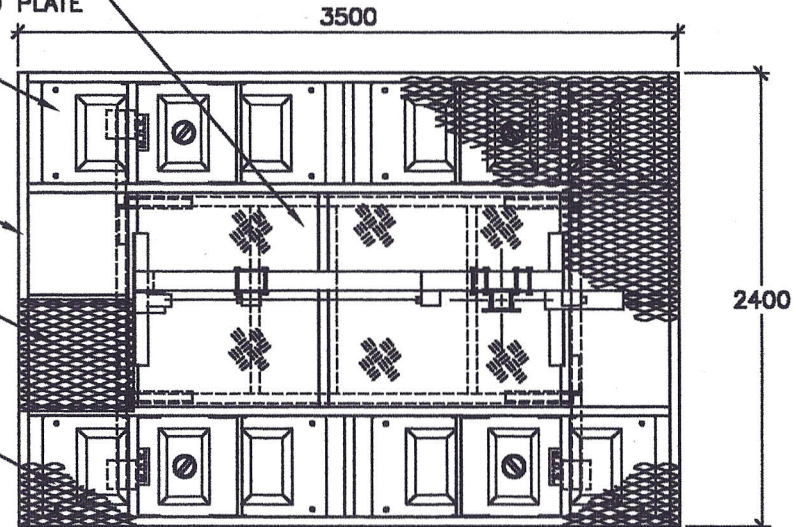
MARINE DOCK SYSTEMS
 FLOTATION MODULE
 FLO550-1052
 FOAM FILLED-804
 4 REQD.

ALUMINIUM FRAME
 150x50x3 RHS
 REFER A4-2142

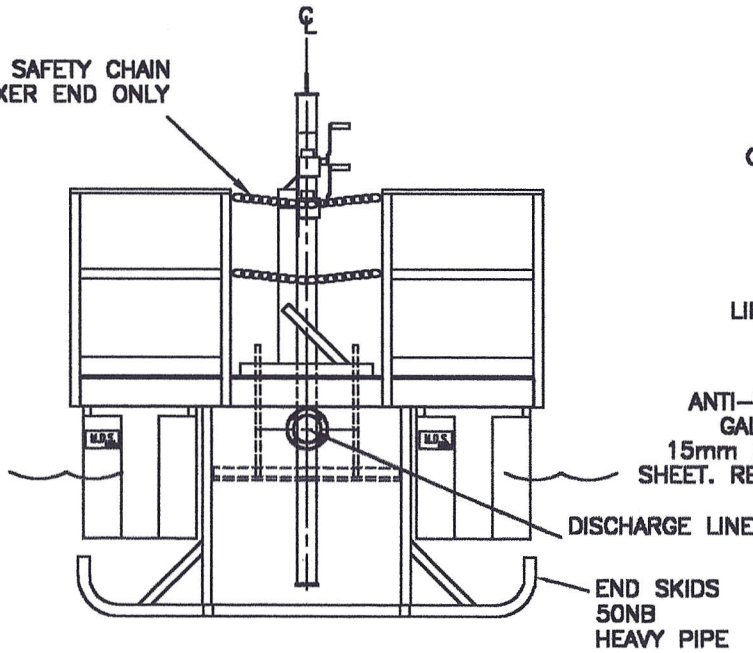
REMOVABLE DECKING
 TO ALLOW ACCESS TO
 VALVE

DECKING
 AMPLIGRIP
 EXPANDED MESH

VOID INFILL
 ALUMINIUM
 TREAD PLATE



SAFETY CHAIN
 MIXER END ONLY



JARRETT
 LOAD BRAKE
 WINCHES

EQUIPMENT
 HOIST-1800
 GALVANIZED MS

HANDRAIL
 ALUMINIUM

TETHER AND
 LIFTING
 BRACKET

ADJUSTABLE
 ANTI-VORTEX PLATE
 GAL. FRAME WITH
 15mm POLYETHYLENE
 SHEET. REFER A4-2158

LOWER SUPPORT
 FRAME. 50x50x5RHS
 GALV.

ANTI-SCOUR PLATE. 15mm POLYETHYLENE

ADJUSTABLE
 PUMP MOUNT

ADJUSTABLE
 MAST MOUNT

MIXER MAST
 MAST-2159
 MS GALV.

ALTERNATIVE
 WINCH LOCATION
 FOR REVERSED
 MIXER OPERATION

500

990

1269

TOE BOARDS
 ALL ROUND.
 *NOT FULLY
 SHOWN

HANDRAIL NOT
 FULLY SHOWN

MARINE DOCK SYSTEMS
 PTY LTD

SLUDGE POND
 PONTOON

PONTOON-2997



SCALE	N.T.S.	DWG	A4-2997	
DRAWN	J.P.M	REV	A	4,5,04
DATE	4,5,04	CHK	APP'D	