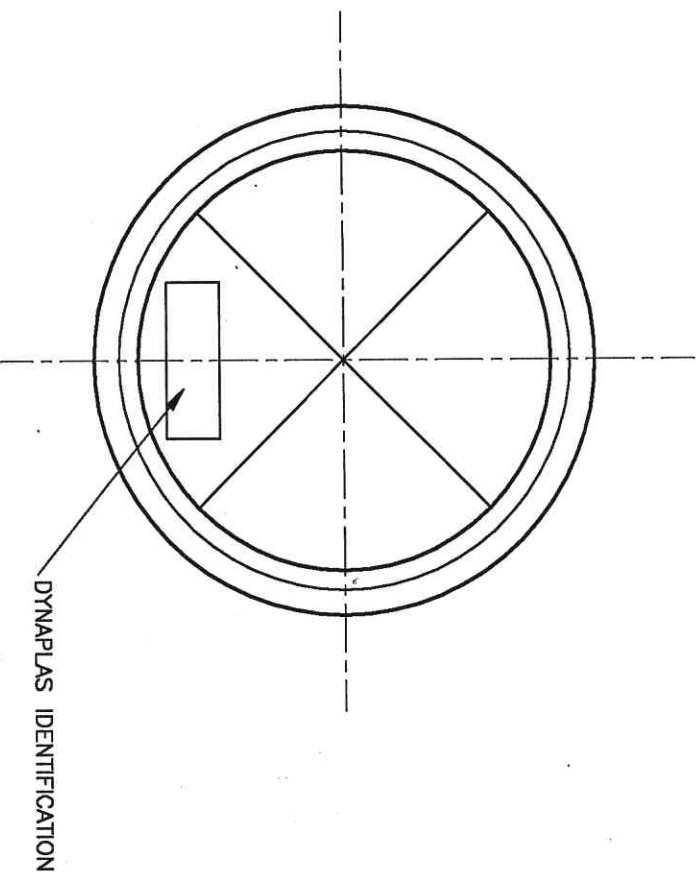
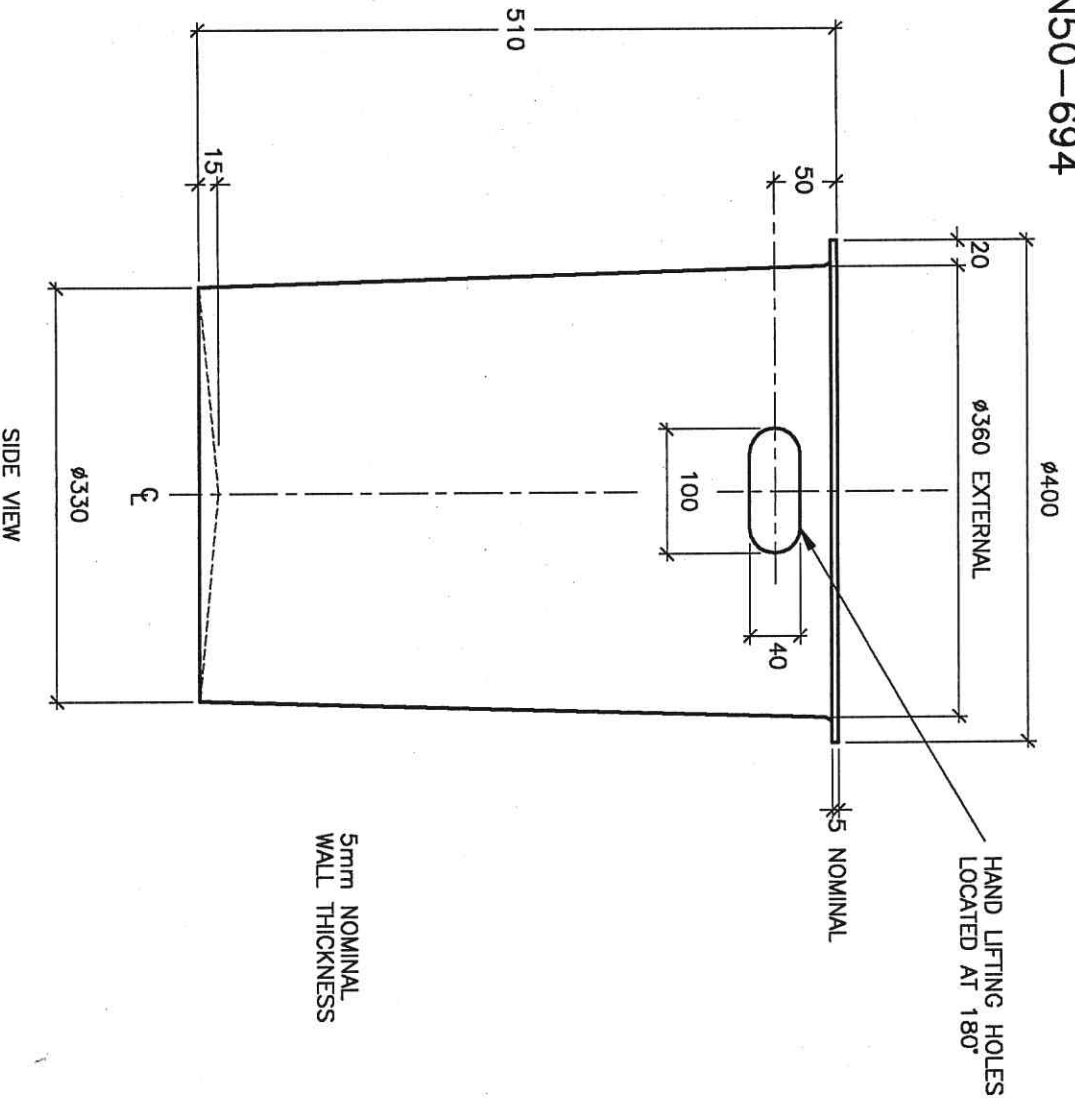


BIN50-694



MATERIAL-U.V. STABILISED, HIGH STRESS CRACK
 CRACK RESISTANT, LINEAR POLYETHYLENE.
 COLOUR-BLACK (OTHER COLOURS TO ORDER)
 WEIGHT-2.8kg APPROX.

ALL DIMENSIONS ARE EXTERNAL PRODUCT.
 DUE TO THE MANUFACTURING PROCESS,
 PRODUCT DIMENSIONS MAY VARY. FOR
 ADDITIONAL INFORMATION CONTACT DYNAPLAS.

DYNAPLAS PTY LTD

**BIN LINER
 ROUND/TAPERED
 50 LITRE**

BIN50-694



SCALE N.T.S.

DRAWING No.

DRAWN J.P.M

A4-694

DATE 26.5.97

REV D